

# MHF Plug Cable Assembly

Mating Height : 2.5mm MAX

Applicable for Four kinds of Cable Size

## 【Part Number】

Ground Contact : **Au** Plating

Ground Contact : **Ag** Plating

**20278-1 \* 2 R- \* \***

**20308-1 \* 2 R- \* \***

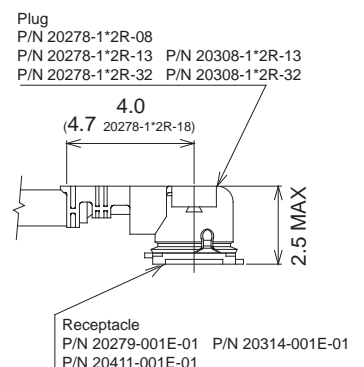
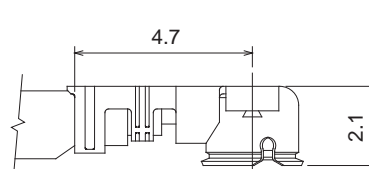
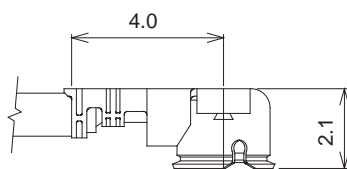
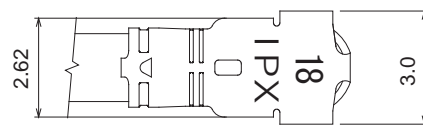
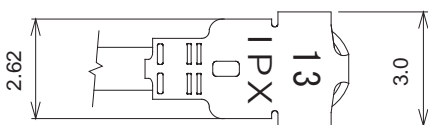
① ② ③

① ② ③

|   |                       |          |  |
|---|-----------------------|----------|--|
| ① | TOOL                  | <b>0</b> | for Hand Tool ( with Notch )                     |
|   |                       | <b>1</b> | for Semi-Auto ( without Notch )                  |
| ② | Packing               | <b>R</b> | Reel 1reel : 2,000pcs                            |
| ③ | Applicable Cable Size | -        | P/N 20278 : 08, 13, 32, 18<br>P/N 20308 : 13, 32 |

## 【Applicable Cable Size】

| Part No. (Au)                     | 20278-1*2R-08         | 20278-1*2R-13         | 20278-1*2R-32         | 20278-1*2R-18         |
|-----------------------------------|-----------------------|-----------------------|-----------------------|-----------------------|
| Part No. (Ag)                     | -                     | 20308-1*2R-13         | 20308-1*2R-32         | -                     |
|                                   | for AWG#36            | for AWG#32            | for AWG#32            | for AWG#30            |
|                                   |                       |                       |                       |                       |
| Braided Shield of Outer Conductor | Single Braided Shield | Single Braided Shield | Double Braided Shield | Single Braided Shield |



## 【Material and Finish】

MATED VIEW

| Parts          | Material     | Plating / Color  | Note                         |
|----------------|--------------|------------------|------------------------------|
| HOUSING        | PBT UL94V-0  | NATURAL or BLACK | Only Au 08, Au 18 is NATURAL |
| CONTACT        | COPPER ALLOY | Au               |                              |
| GROUND CONTACT | COPPER ALLOY | Au or Ag         |                              |

# MHF Plug Cable Assembly

Mating Height : 2.5mm MAX

Applicable Cable for **O.D.1.37mm** Cable

## 【Part Number】

Ground Contact : **Au** Plating

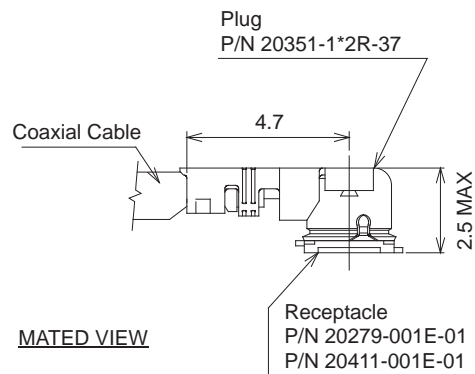
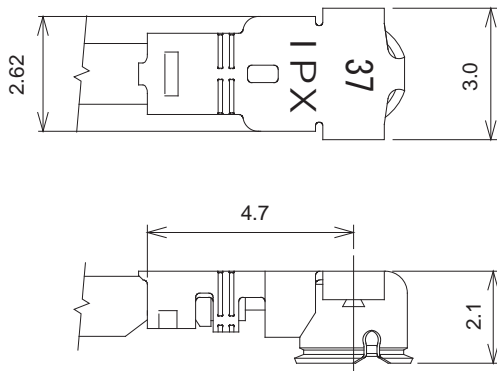
**20351-1 \* 2 R- 37**

①      ②

|   |         |          |                                 |
|---|---------|----------|---------------------------------|
| ① | TOOL    | <b>0</b> | for Hand Tool ( with Notch )    |
|   |         | <b>1</b> | for Semi-Auto ( without Notch ) |
| ② | Packing | <b>R</b> | Reel 1reel : 2,000pcs           |

## 【Applicable Cable Size】

|                                       |                       |
|---------------------------------------|-----------------------|
| Part No. (Au)                         | 20351-1*2R-37         |
| Part No. (Ag)                         | -                     |
|                                       | for AWG#30            |
| Applicable Cable<br>Nominal Dimension |                       |
| Braided Shield of Outer Conductor     | Single Braided Shield |



## 【Material and Finish】

| Parts          | Material      | Plating / Color |
|----------------|---------------|-----------------|
| HOUSING        | PBT UL94V-0   | NATURAL         |
| CONTACT        | COPPEER ALLOY | Au              |
| GROUND CONTACT | COPPEER ALLOY | Au              |

# MHF Receptacle

## 3pads type

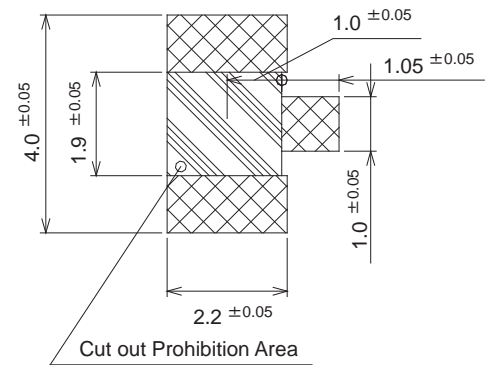
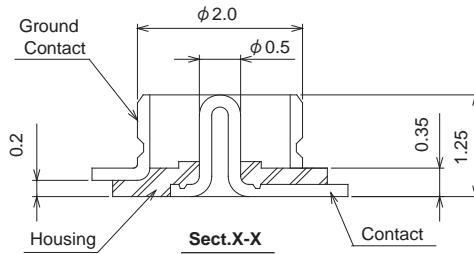
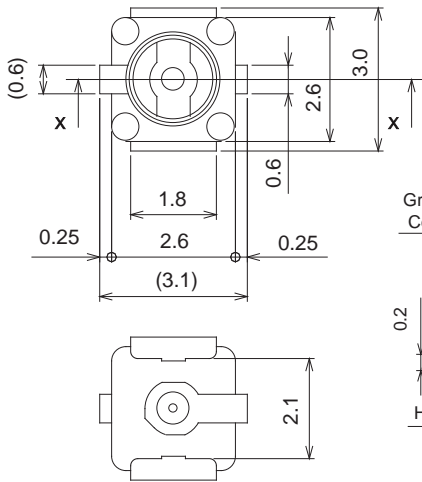
### 【Part Number】

Ground Contact : **Au** Plating  
**20279-001 E- 01**

Packing : Emboss Tape  
 1reel : 2,500pcs

Ground Contact : **Ag** Plating  
**20314-001 E- 01**

Packing : Emboss Tape  
 1reel : 2,500pcs



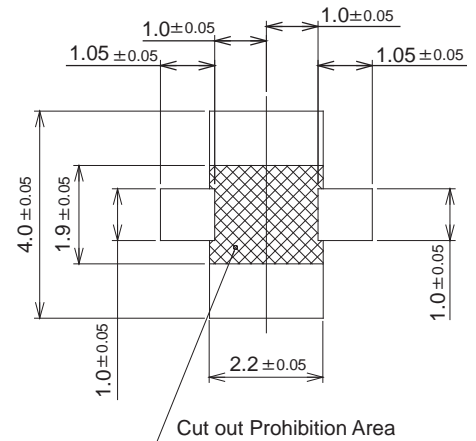
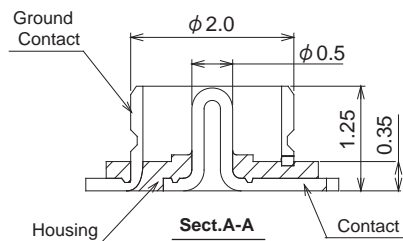
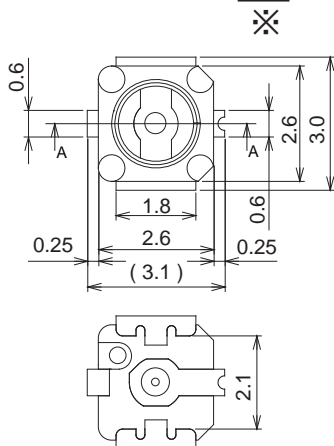
RECOMMENDED FOOTPRINT PATTERN

## 4pads type

### 【Part Number】

Ground Contact : **Au** Plating  
**20441-001 E- 01**

※ Packing : Emboss Tape  
 1reel : 5,000pcs



RECOMMENDED FOOTPRINT PATTERN

### 【Material and Finish】

| Parts          | Material     | Plating / Color (3pads) | Plating / Color (4pads) |
|----------------|--------------|-------------------------|-------------------------|
| HOUSING        | LCP UL94V-0  | NATURAL                 | BLACK                   |
| CONTACT        | COPPER ALLOY | Au                      | Au                      |
| GROUND CONTACT | COPPER ALLOY | Au or Ag                | Au                      |